

## Development of Piping Spool Drawings

### Key Features

**Technology:**

SolidWorks 2016

**Duration:**

The project was completed in 1 month

**Deliverables:**

1. 150 Spool Drawings in .pdf Format
2. Final 3D Model

### The Client

Canada based leader in design and manufacturing of composite equipment that has led industry in providing engineered composite solutions to corrosion challenges in industrial processing facilities. Their services encompass component design, stress analysis, manufacturing, fabrication, and testing through installation, site inspection, and maintenance.

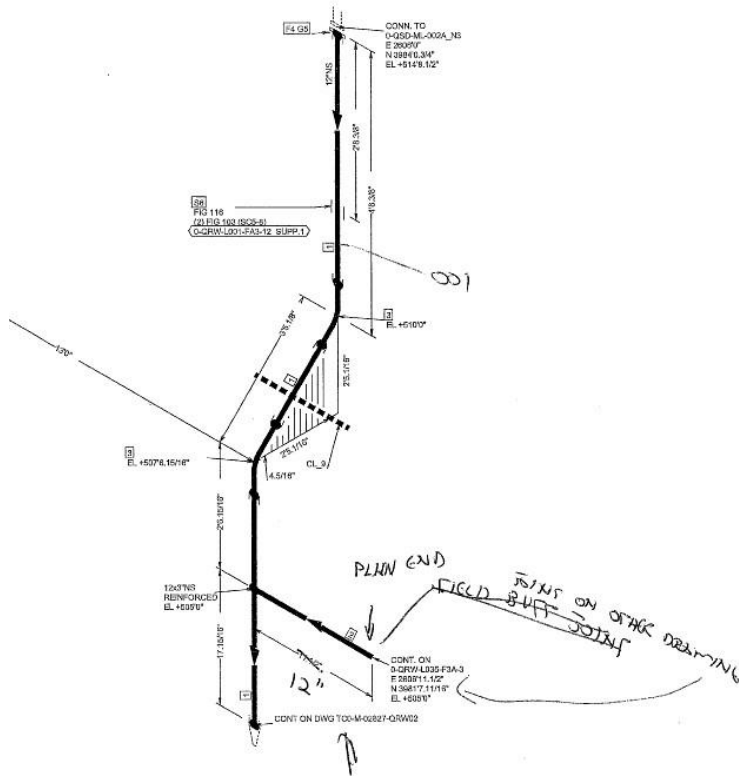
### The Business Need

The client required Rishabh Engineering to assist them with Development of Shop Spool Drawings.

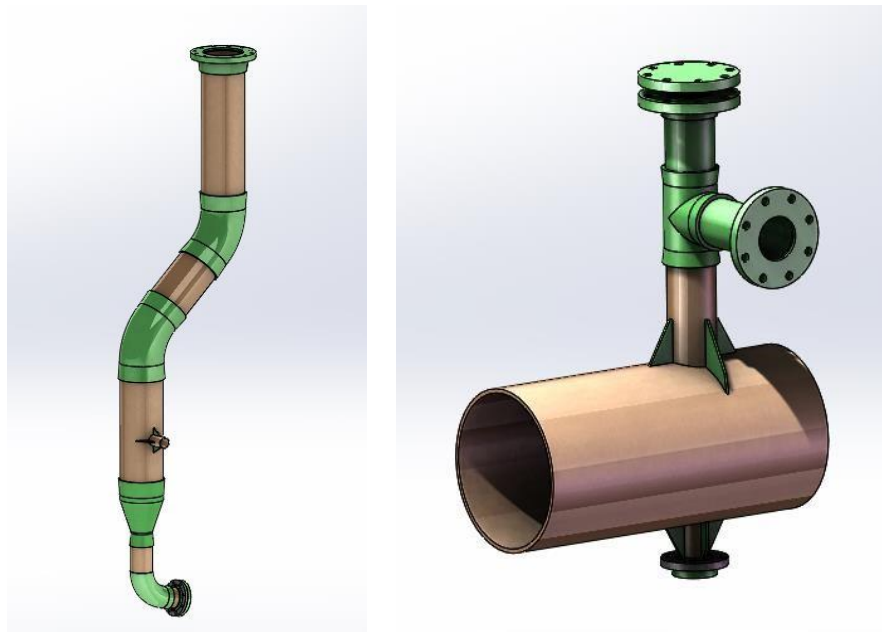
### Rishabh's Solution

Rishabh Engineering provided its engineering services to develop 3D model for piping spools on SolidWorks and extract shop spool drawings for the client. The team consisted of 4 members (2 Designers + 1 Quality Checker + 1 Team Lead).

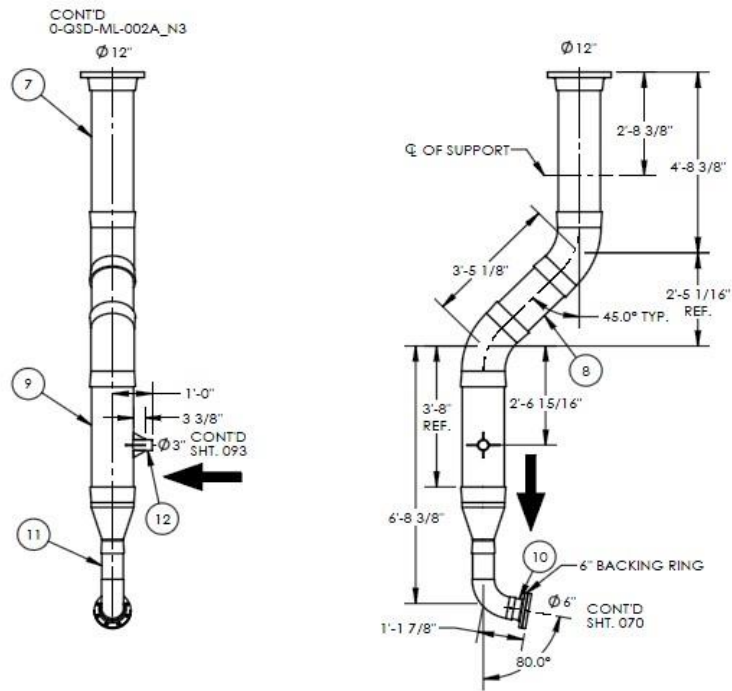
The Spool Drawings were developed with the standards and codes as specified by the client using imperial units. The inputs provided were the isometrics and the entire development of the spool drawings was done using SolidWorks 2016. Additionally, the template to be used was specified in which the entire project was done.



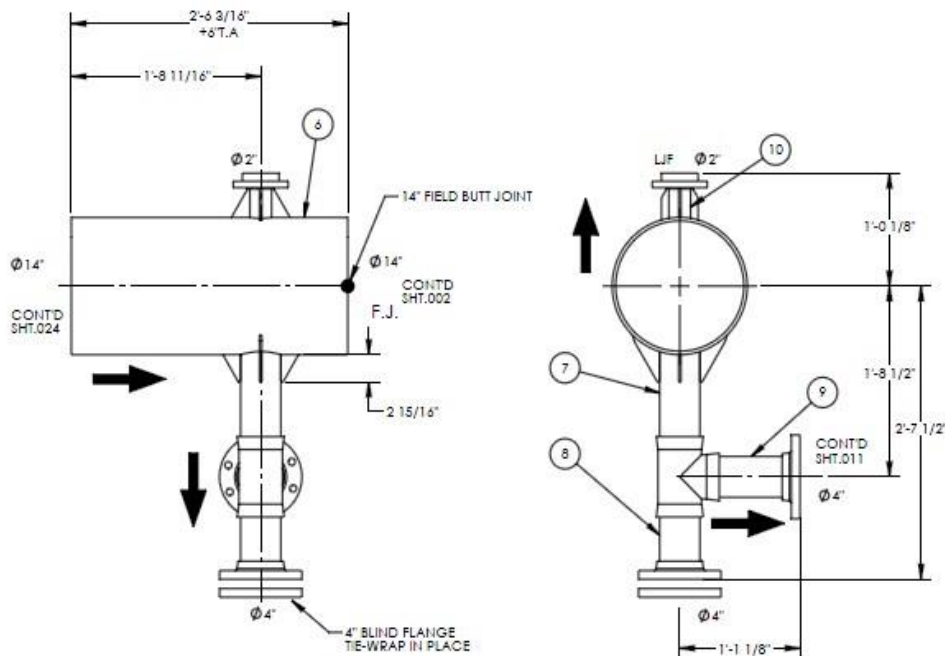
Isometric Layout - Development of Piping Spool Drawings



3D Model – Spool Model - Development of Piping Spool Drawings



2D Drawing – Spool Drawing - Development of Piping Spool Drawings



2D Drawing – Spool Model - Development of Piping Spool Drawings

## Technology Used

- SolidWorks 2016

## Key Deliverables

- 150 Spool Drawings in .pdf Format
- Final 3D Model

### Contact Details

US Ph : +1-201-484-7302, 1-877-RISHABH (747-4224)

UK Ph : +44-0207 993 8162

Email : [sales@rishabheng.com](mailto:sales@rishabheng.com)

Twitter : [www.twitter.com/RishabhEng](http://www.twitter.com/RishabhEng)

Linkedin : [www.linkedin.com/company/rishabh-engineering-services](http://www.linkedin.com/company/rishabh-engineering-services)

More information about Rishabh Engineering, please visit:

[www.rishabheng.com](http://www.rishabheng.com) | [www.rishabhsoft.com](http://www.rishabhsoft.com) | [www.rishabhbpo.com](http://www.rishabhbpo.com)

### About Rishabh Engineering

Rishabh Engineering provides multidisciplinary engineering support services to EPC companies in industries like Oil and Gas, Petrochemical, Power and Water treatment. Our parent company, Rishabh Software is a CMMI level-3, ISO9001 and ISO27001 company that provides services in Software Development, Business Process Outsourcing (BPO) and Engineering Services Outsourcing (ESO) to clients globally. Rishabh has offices in USA, UK and India with their main delivery center in Vadodara, India.